



15/16" Male Aerator K-18026

Features

- Kohler plumbing products mean beautiful form as much as reliable function.
- 15/16" male.
- 0.5 gpm vandal-resistant pressure-compensating spray (nonaerated).
- GPM = Volumetric flow rate in gallons per minute.

Water Conservation & Rebates

- This product can help a building earn Water Efficiency points in LEED® Green Building Rating System.

Recommended Products/Accessories

K-23723 Faucet cleaner

Included Components

Additional Components:
Aerator wrench



Codes/Standards

None Applicable

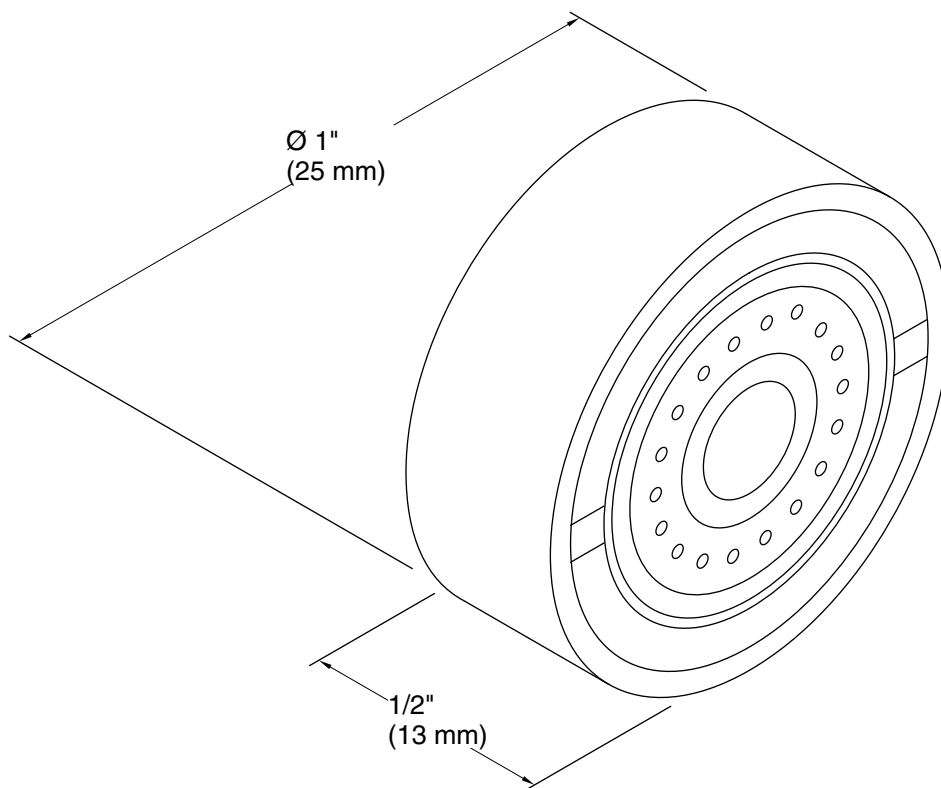
KOHLER® One-Year Limited Warranty

See website for detailed warranty information.

Available Colors/Finishes

Color tiles intended for reference only.

Color	Code	Description
	CP	Polished Chrome



Technical Information

All product dimensions are nominal.

Material: Brass

Notes

Install this product according to the installation guide.